

Cable terminations

Pre-insulated terminals

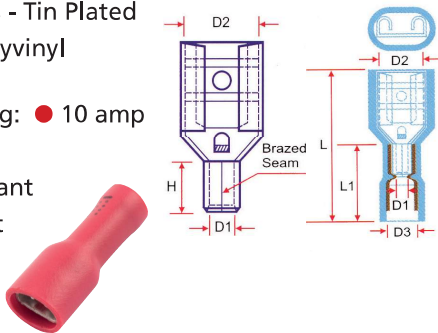
Fully Insulated Female Push-on

Material: Brass - Tin Plated

Insulation: Polyvinyl Chloride

Max. elec. rating: ● 10 amp
300 volts 75°C

Vibration resistant
RoHS compliant



Wire Range mm ² (AWG)	Part No.	Dimensions in mm						
		D1	D2	D3	H	L	L1	Tab size
● 0.5-1.5 (22-16)	28RFPT	1.8	3.2	4.3	5.5	20.0	10.0	2.8 X 0.5
	28RFPTX	1.8	3.5	4.3	5.5	20.0	10.0	2.8 X 0.8
	48RFPT	1.8	5.5	4.3	5.5	20.0	10.0	4.8 X 0.5
	48RFPTX	1.8	5.5	4.3	5.5	20.0	10.0	4.8 X 0.8
	63RFPT	1.8	6.6	4.3	5.5	21.5	10.5	6.3 X 0.8

Pack Quantity: 100

Flag Female Push-on

Material: Brass - Tin Plated

Insulation: Nylon

Max. elec. rating: ● 10 amp
300 volts 75°C

RoHS compliant



Wire Range mm ² (AWG)	Part No.	Tab size (mm)
● 0.5-1.5 (22-16)	63RFPT/RA	6.3 X 0.8

Pack Quantity: 100

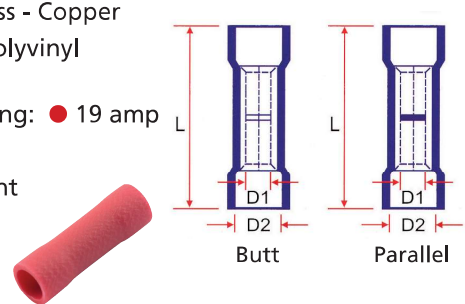
Butt & Parallel Splices

Material: Brass - Copper

Insulation: Polyvinyl Chloride

Max. elec. rating: ● 19 amp
600 volts 75°C

RoHS compliant



Butt Splices

Wire Range mm ² (AWG)	Part No.	Dimensions in mm		
		D1	D2	L
● 0.5-1.5 (22-16)	15BSL	1.8	4.3	24.5

Pack Quantity: 100

Parallel Splices

Wire Range mm ² (AWG)	Part No.	Dimensions in mm		
		D1	D2	L
● 0.5-1.5 (22-16)	15PSL	1.7	3.3	16.0

Pack Quantity: 100

Butt and parallel splices are available in vibration resistant versions (subject to M.O.Q).



Cable terminations

Pre-insulated terminals

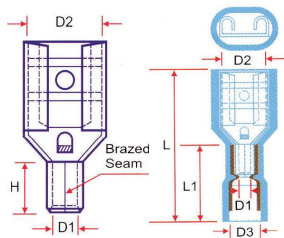
Fully Insulated Female Push-on

Material: Brass - Tin Plated

Insulation: Polyvinyl Chloride

Max. elec. rating: ● 15 amp
300 volts 75°C

Vibration resistant
RoHS compliant



Wire Range mm ² (AWG)	Part No.	Dimensions in mm						
		D1	D2	D3	H	L	L1	Tab size
● 1.5-2.5 (16-14)	48BFPT	2.3	5.0	4.8	5.5	20.0	10.0	4.8 X 0.5
	48BFPTX	2.3	5.0	4.8	5.5	20.0	10.0	4.8 X 0.8
	63BFPT	2.3	6.6	4.8	5.5	21.5	10.5	6.3 X 0.8

Pack Quantity: 100

Flag Female Push-on

Material: Brass - Tin Plated

Insulation: Nylon

Max. elec. rating: ● 15 amp
300 volts 75°C

RoHS compliant



Wire Range mm ² (AWG)	Part No.	Tab size (mm)
● 1.5-2.5 (16-14)	63BFPT/RA	6.3 X 0.8

Pack Quantity: 100

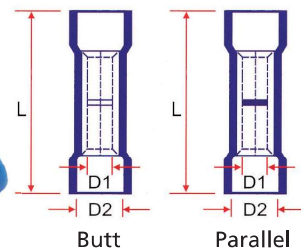
Butt & Parallel Splices

Material: Copper

Insulation: Polyvinyl Chloride

Max. elec. rating: ● 27 amp
600 volts 75°C

RoHS compliant



Butt Splices

Wire Range mm ² (AWG)	Part No.	Dimensions in mm		
		D1	D2	L
● 1.5-2.5 (16-14)	25BSL	2.3	4.8	24.5

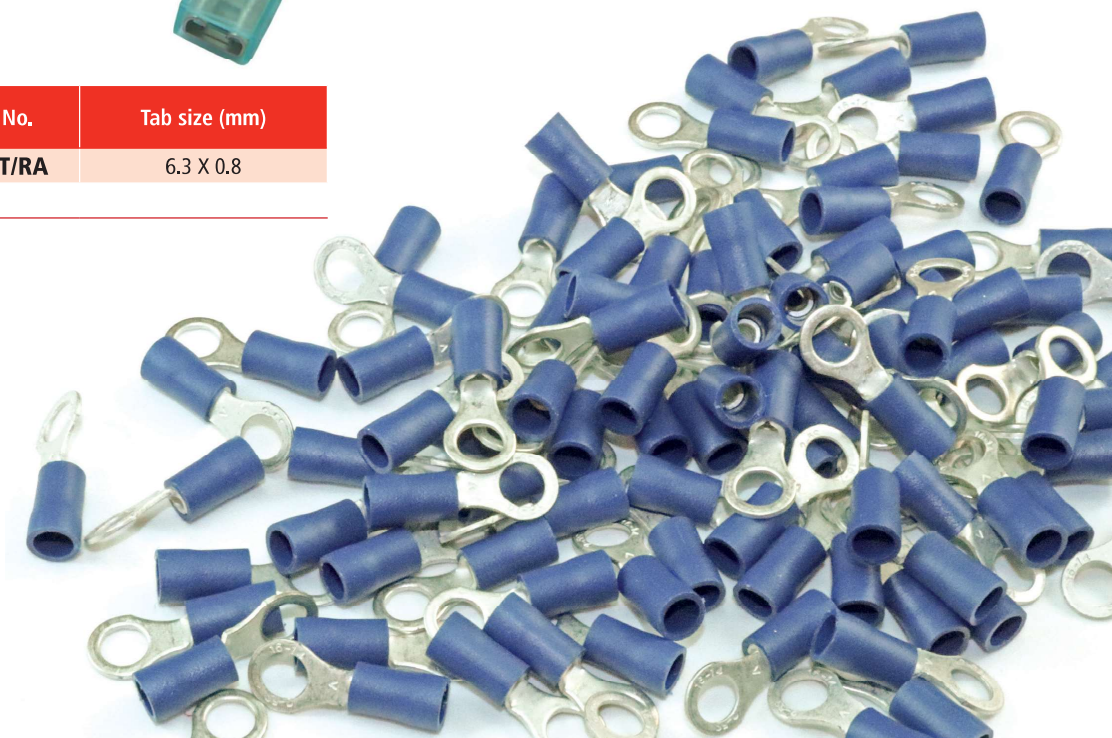
Pack Quantity: 100

Parallel Splices

Wire Range mm ² (AWG)	Part No.	Dimensions in mm		
		D1	D2	L
● 1.5-2.5 (16-14)	25PSL	2.3	4.0	16.0

Pack Quantity: 100

Butt and parallel splices are available in vibration resistant versions (subject to M.O.Q).



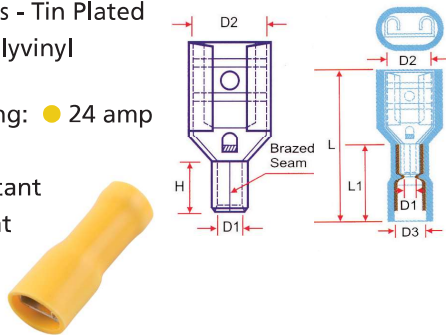
Cable terminations

Pre-insulated terminals

Fully Insulated Female Push-on

Material: Brass - Tin Plated
Insulation: Polyvinyl Chloride

Max. elec. rating: ● 24 amp
 300 volts 75°C
 Vibration resistant
 RoHS compliant



Wire Range mm ² (AWG)	Part No.	Dimensions in mm						
		D1	D2	D3	H	L	L1	Tab size
● 4-6 (12-10)	63YFPT	3.5	6.6	6.0	6.5	23.5	13.7	6.3 X 0.8
	95YFPT	3.5	10.0	6.0	6.5	30.0	13.7	9.5 X 1.2

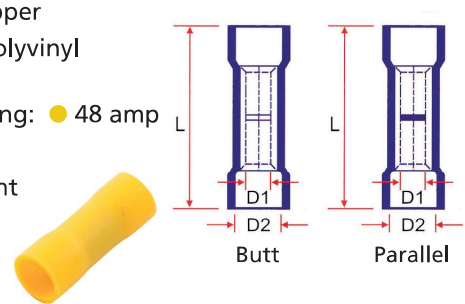
Pack Quantity: 100

Butt & Parallel Splices

Material: Copper

Insulation: Polyvinyl Chloride

Max. elec. rating: ● 48 amp
 600 volts 75°C
 RoHS compliant



Butt Splices

Wire Range mm ² (AWG)	Part No.	Dimensions in mm		
		D1	D2	L
● 4-6 (12-10)	6BSL	3.5	6.6	26.0

Pack Quantity: 100

Parallel Splices

Wire Range mm ² (AWG)	Part No.	Dimensions in mm		
		D1	D2	L
● 4-6 (12-10)	6PSL	3.4	5.5	20.5

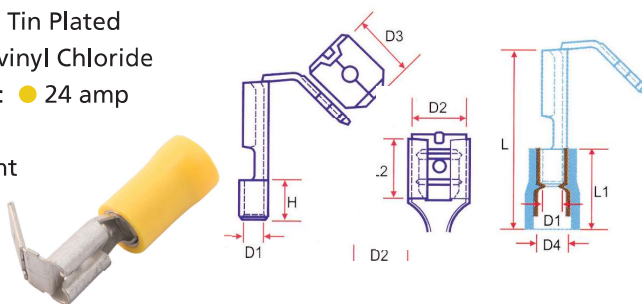
Pack Quantity: 100

Butt and parallel splices are available in vibration resistant versions (subject to M.O.Q).

Piggy Back – Push-on

Material: Brass - Tin Plated
Insulation: Polyvinyl Chloride

Max. elec. rating: ● 24 amp
 300 volts 75°C
 Vibration resistant
 RoHS compliant



Wire Range mm ² (AWG)	Part No.	Dimensions in mm								
		D1	D2	D3	D4	L	L1	L2	H	Tab size
● 4-6 (12-10)	63YPIG	3.5	6.6	8.0	6.5	24.0	13.5	7.5	6.5	6.3 X 0.8

Pack Quantity: 100

To see a video explaining techniques and best practice scan the QR code



Un-insulated Piggy Back Terminals available on request (subject to M.O.Q).

